

LED Luminaire

HDL 103

Zone 1 and 21 / Class I, Div 2 / Class II, Div 1 and 2 Ex emb LED Helideck / Obstruction / Bulkhead



Specification:

Main Body:

Marine Grade Aluminium

Clear Lens:

Polycarbonate

Gaskets:

Silicone/Rubber

External Fasteners:

A4 Stainless Steel

T Rating:

T5

Weight:

3.0kg

Key Features:

- Available in Green (Helidecks), Red (Obstruction) or White (general lighting) other colours also available.
- Customer can select constant light output or flashing upon installation.
- Conforms to ICAO annex 14 volume II and CAP437 for Helideck perimeter lighting and CAP168 for Obstruction lighting.
- LED technology will give a predicted working life of 10 years +.
- Utilises 6 off 1.2W LEDs.
- Low power consumption.
- Easy installation and low maintenance.
- Rugged construction – resistant to vibration.
- Instant light output.
- 360° coverage.
- Independently photometrically tested.
- All units supplied with 3 cable entries.
- IP66 and IP67
- Optional wire guard available for extra protection.
- Can be supplied in traffic light or stop/start assemblies - see HDL153 data sheet.

Engineering Solutions
Design to Manufacture

HADAR
LIGHTING

Hadar Lighting, Jubilee Industrial Estate, Ashington
Northumberland, NE63 8UG United Kingdom

T: +44 (0) 1670 814 877
F: +44 (0) 1670 858 638

enquiries@hadar-lighting.com

www.hadar-lighting.com

Protection:

Ex II 2 G D Ex emb IIC T5 Gb, Ex t IIIC T68°C Db IP66/67

Certification: ATEX, IECEX, ABS & CSA certified.

	Certification	Ambient	Voltage Range	Certificate
HDL 103	Ex II 2 G D Ex emb IIC T5 Gb, Ex t IIIC T68°C Db IP66/67 Class I, Div 2 Groups ABCD Class II, Div 1 & 2 Groups EFG	All variants -20°C to +55°C	100V to 254V AC 24V AC/DC	IECEX SIR 09.0065X SIRA 09ATEX5160X ABS 12-LD818639-PDA CSA 257871

Electrical Specifications:

Electrical Specification			
Lamp Options	Power consumption	Power factor	Power supply
6 x 1.2W LEDs	12W Max	0.95	100V – 254V 50/60Hz AC or 24V AC/DC

Installation:

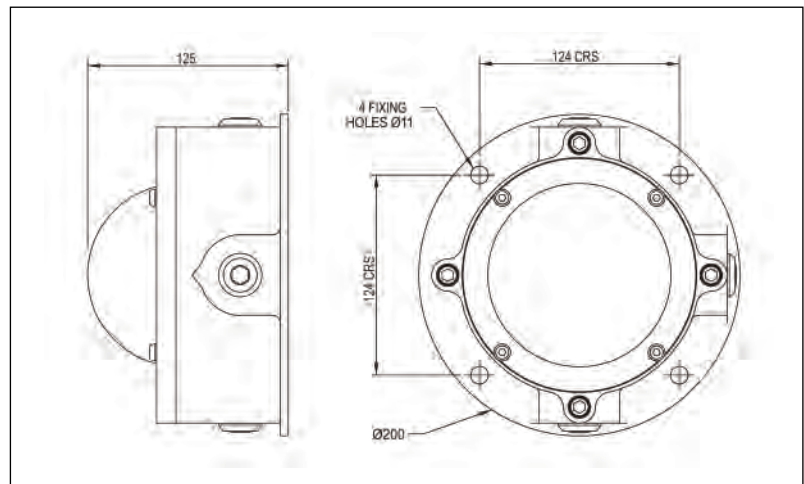
Terminals: Up to 4mm² screwed terminals for live, neutral, earth and looping are provided. Internal and external earth is standard.
Cable Entries: 3 x M20, two fitted with approved stopper plug, other entries available on request.
Suspension: Via 4 external mounting points.
Installation: Installation document AL10557 supplied.

Ordering Matrix:

Field	Options
Product	HDL103
Voltage	H – 100-254V AC L – 24V AC/DC
Version*	G – Green LED'S R – Red LED'S W – White LED'S
Fittings	0 – No wire guard 1 – Wire guard fitted
Cable Entries	0 – M20 5 – M25
Other Options	00 – Red 00 – White 02 – Green

*Other colour options available

Dimensions:



Notes:
 1) Typical ordering reference HDL103HG0002.
 2) Photometric Data available from the website or contact sales office.



Data is correct at time of print, but is subject to change due to continual product improvement.
 Zone 2 and Industrial versions available, please refer to the website or contact sales office for further details.